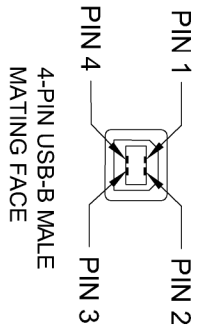
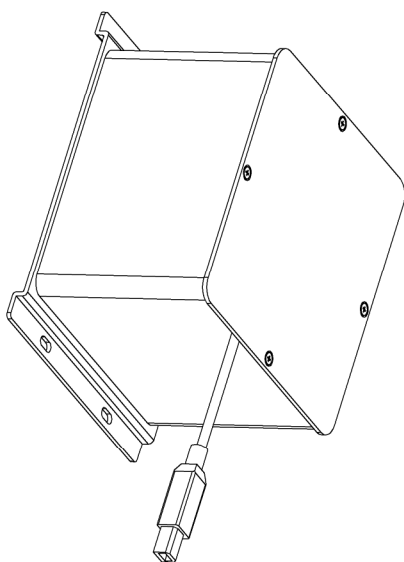
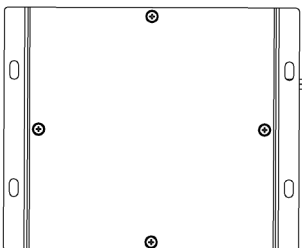
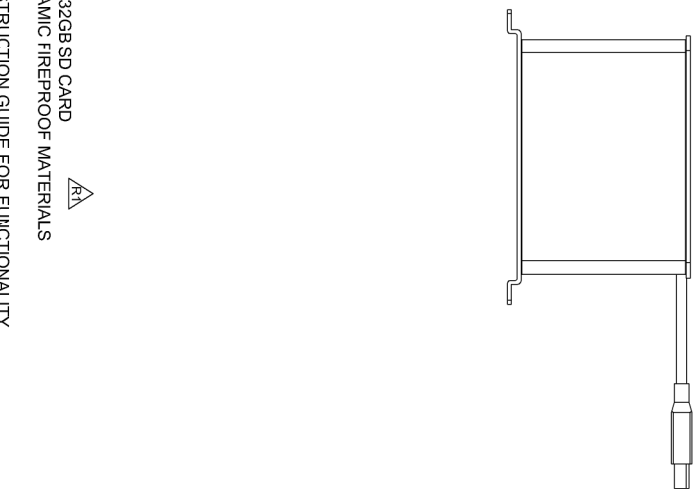
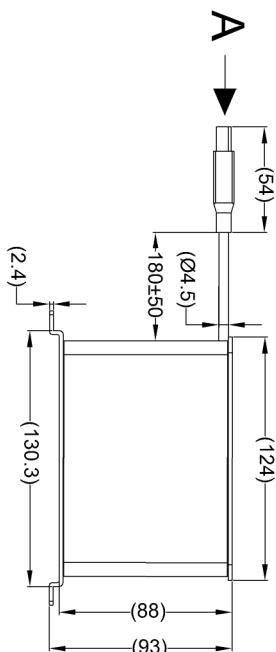
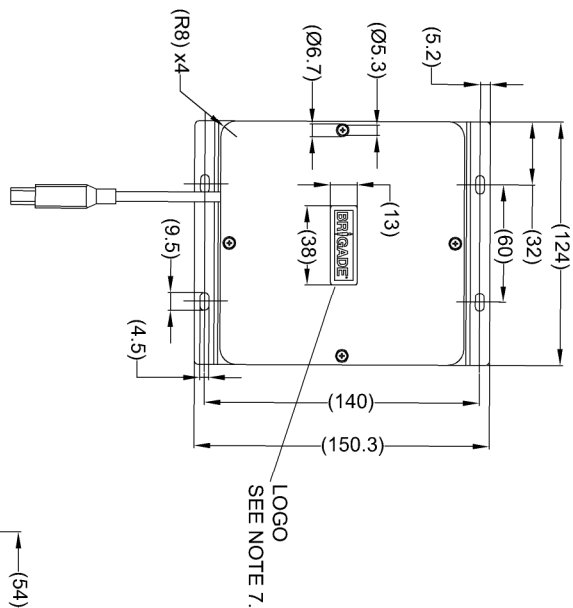


# VIEW A



PIN #	WIRE COLOUR	DESCRIPTION
1	RED	+5V
2	GREY	USB DATA -
3	GREEN	USB DATA +
4	BLACK	GND



Revision Notes			
R1 - SUPPLIED WITH 32GB SD CARD ADDED AS PER Q1879	Drawn: WBEAZLEV	Checked: RBATES	Approved: D WALLIN
AP A. EPANG			Date: 25/07/2016

## NOTES:

- SUPPLIED WITH 32GB SD CARD
- MATERIAL: CERAMIC FIREPROOF MATERIALS
- FINISH: RED
- REFERENCE INSTRUCTION GUIDE FOR FUNCTIONALITY.
- FOR PRODUCT/SERIAL NUMBER LABEL REFER TO LATEST REVISION OF DRAWING BE-003112-XX-15.
- ANY CUSTOMER MODIFICATION OF THIS PRODUCT CAUSING SUBSEQUENT FAILURE IS NOT A LIABILITY OF BRIGADE ELECTRONICS GROUP PLC.
- TO BE SUPPLIED IN BROWN GIFTBOX.
- FOR BRIGADE LOGO SEE BRIGADE-SMALL-LOGO STICKER 3813-4526(01\_10.05.219)-V1.0.



PROPRIETARY NOTICE  
THIS DESIGN AND TECHNICAL INFORMATION APPEARING ON THIS DRAWING IS THE PROPERTY OF BRIGADE ELECTRONICS AND IS DISCLOSED IN CONFIDENCE. IT IS NOT TO BE COPIED, REPRODUCED, REVEALED TO OR EXPLOITED BY OTHERS, EITHER IN WHOLE OR IN PART WITHOUT THE EXPRESS WRITTEN CONSENT OF BRIGADE ELECTRONICS.

**BRIGADE**  
www.brigade-electronics.com

Angle of Projection		Third Angle	
Assembly PI Approval	EPANG	Approved by	D WALLIN
Checked by	RBATES	Released	21/07/15
Drawn by	L.PILLAY	Assembly Ref	03.06.09.09.06
Status	RELEASED	MDR-400-FPB-32	
Part No	4896	BE-003122-01-15	